

Introducing Full HD for the most realistic video communications experience ever



Experience Superior Communication

Experience the world's first, Full HD video communications system. One look and you can see for yourself that the LifeSize® difference is the LifeSize experience - superior video experiences across cities, countries and continents.

With the LifeSize Room 200 solution, you get every bit of quality available today, with Full High Definition, standards-based 1080p30 for the highest available resolution and 720p60 for the best motion handling with lower latency. Plus, an embedded 6-way Continuous Presence multipoint bridge (with 4 visible participants), complete with transcoding and all digital I/O in a compact, sleek unit that's less than half the size of comparable solutions.

Flexibility is enhanced, since our exemplary attention to the human interface ensures that the LifeSize Room 200 system is easy to use. And because we're committed to open architecture, proven LifeSize interoperability provides full integration into your existing communications infrastructure.

You also get unprecedented bandwidth/performance:

- 768kbps for 720p30
- 1.1Mbps for 720p60
- 1.7Mbps for 1080p30

In today's world, better than being there.

In addition to technology, service and support, LifeSize offers the most interactive, face-to-face video communications experience you can get. In fact, the LifeSize Room 200's exceptional quality and user simplicity now make remote communications a more productive, true-to-life experience. And like all LifeSize products, LifeSize Room 200 delivers superior quality of experience, unique flexibility and unmatched price performance.

LifeSize Room 200 Key Features

Video Quality

Full High Definition Standards-based
1920x1080 - 30fps
1280x720 - 60fps

HD Monitors



HD Cameras
Pan-Tilt-Zoom (PTZ)



HD Audio



External Audio, Video & Data Input/Output

Audio: 4 in, 2 out
Video: 6 in, 2 out
Data: 1 in, 1 out

Point-to-Point HD Video Communications



Embedded Continuous Presence (CP) HD Multipoint



Embedded Voice Activated Switching (VAS) HD Multipoint



Product Specifications - LifeSize® Room 200™

System Components

LifeSize codec with stand
High Definition PTZ LifeSize Camera 200
LifeSize Phone
Wireless remote control
Power Supply
Cables

Communications

H.323, SIP
128Kbps - 6.0Mbps (point-point)
128Kbps - 2.0Mbps (multipoint, per call)
1xRJ-45 Network LAN (10/100 Mbps)
1xRJ-45 for LifeSize Phone (PoE supported)
1xRJ-45 for LifeSize Networker (PoE supported)
1xRJ-11 for analog telephone line
1x3.5mm Mic In for LifeSize MicPod

Support for multiple HD displays

Any high definition display supporting HDMI or DVI-I input
For additional information on displays,
visit: www.lifesize.com/support

High Definition 1080p30/720p60 PTZ Camera

Support for two active camera sources at 720p30
Wide-angle zoom lens with 70 degree field of view
4x Optical zoom
Auto focus / Automatic gain control
10 camera presets (near and far end)
Standard 3.0 M HDMI cable
Support for Sony EVI-HD1 camera (optional)

Video Specifications/Video Resolutions

Maximum resolutions widescreen 16:9 aspect ratio
All resolutions progressive scanning
All resolutions at 30 frames per second except 60 frames
per second where noted
128Kbps (400x244pixels) Widescreen FCIF
384Kbps (768x432pixels) Cable TV
512Kbps (848x480pixels) DVD resolution
768Kbps(1280x720pixels) High Definition
1.1Mbps (1280x720pixels @ p60) High Definition
1.7Mbps or higher (1920x1080pixels) High Definition

Video Standards

H.261, H.263, H.263+, H.264 and H.239 compliant
Support for multiple dual live streaming modes:
1080p30 and 720p5
720p60 and 720p5
720p30 and 720p30

Video Formats

High Definition, 16:9 aspect ratio

Video Inputs (6 Inputs)

1 x High Definition Camera (720p30)
2 x HD Video In (1080p30/720p30)
1 x DVI-I In (VGA enabled)
1 x Component In or 1 x Composite In
1 x S-Video In (VGA enabled)

Video Outputs (2 Outputs)

1 x HD Video Out (1080p30/720p60)
1 x DVI-I Out (1080p30/720p60)

Fully Integrated, HD Audio Conference Phone

100Hz up to 16kHz
Powered by codec directly through cable

Audio Features

High Definition audio
GIPS NetEQ packet loss concealment
Full duplex for natural conversations
Echo cancellation for echo-free calls
Automatic gain control
Automatic noise reduction
MicPod or Dual MicPod support (optional)

Audio Standards

G.711, G.722, G.722.1 (Polycom® Siren14™), G.728, G.729,
MPEG-4 -AAC-LC

Audio Inputs (4 Inputs)

1 x RJ-45 (LifeSize Phone)
2 x Stereo Line In (3.5mm)
1 x Mic In - Two channel (3.5mm)

Audio Outputs (2 Outputs)

1 x RJ-45 (LifeSize Phone)
1 x Stereo Line Output (3.5mm)

Other Supported Standards

H.221, H.224, H.225, H.231, H.241, H.242, H.245, H.281,
BONDING (ISO13871), RFC 3261, RFC 3264, RFC 2190,
RFC 3407

User Interface & Features

Context sensitive user interface
Graphical User Interface Call Manager
14 localized languages supported
Do Not Disturb mode

Security

Admin and User level password
SNMP security alerts
Ability to disable HTTP, SSH and Telnet services
H.235 encryption support including strict compliance
IEEE 802.1x support
Kensington Lock™

Intelligent Network Features

NAT/Firewall Traversal (H.460/SIP)
IPv4 and IPv6 support
Auto H.323 dialing
ISDN support via LifeSize Networker

Directory and Address Book

Up to 1000 local directory entries
Save, Lock, Remove Redial List features
Missed call notification
Auto-Discovery directory lookup (patent pending)
LDAP support / H.350 compliant
Meetings Directory support

Embedded HD Multipoint Control Unit

6-way HD CP multipoint conference with up to 4 visible
participants
6-way HD VAS multipoint conference
Transcoding support
Virtual Multiway allows participant viewing control
(patent pending)
H.239 multipoint support shared from any participant
Disable multipoint option

System Management

Out of box setup via web interface and management tool
SNMP
1 x DB-9 RS-232 port configurable as control
Backup and Restore capability
JPEG snapshots through web interface

Power

AC Voltage 100-240V, 50-60 Hz, 2.5A via external
power supply

Environmental Data

Operating temperature: 0 C (32 F) to 40 C (104 F)
Operating Humidity: 15% to 85%, non-condensing
Storage temperature: -20 C (-4 F) to 60 C (140 F)
Storage humidity: 10% to 90%, non-condensing

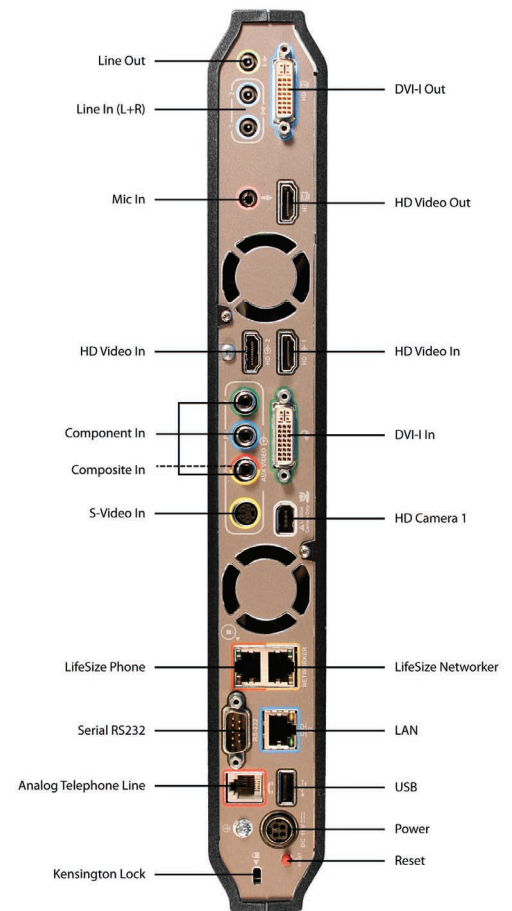
Codec Dimensions

Width: 373.9mm (14.72")
Depth: 225mm (8.86")
Height: 48.3mm (1.9")
Weight: 2.24 Kg (4.94lbs)

Regulatory Model Number
LifeSize Room 200 = LFZ-015

For additional information: www.lifesize.com/support

Information contained in this document is subject to change
without notice. LifeSize® is the registered trademark or trademark
of LifeSize Communications Inc. All other trademarks are the
property of their respective owners. For patents covering LifeSize®
products refer to <http://www.lifesize.com/support/legal>.
© Copyright 2009. All rights reserved. April 2009.



Corporate Headquarters: Phone: +1 512 347 9300
901 S. Mopac Expressway Fax: +1 512 347 9301
Building 3, Suite 300 Email: info@lifesize.com
Austin, Texas 78746 USA www.lifesize.com

EMEA: LifeSize Communications
Toll-Free Europe 008000 999 09 799

APAC: LifeSize Communications
Hong Kong
Phone: +852 8239 3695